

#prep Y Idler

[JellyBox Build: 15 Y-Assembly Join](#)

(link directly to the idler section t=0)



In this video, we incorporate Y assembly into the JellyBox frame. First, we'll install the Y Idler, and then the Y Bed Assembly.

Title: Prepare the Idler

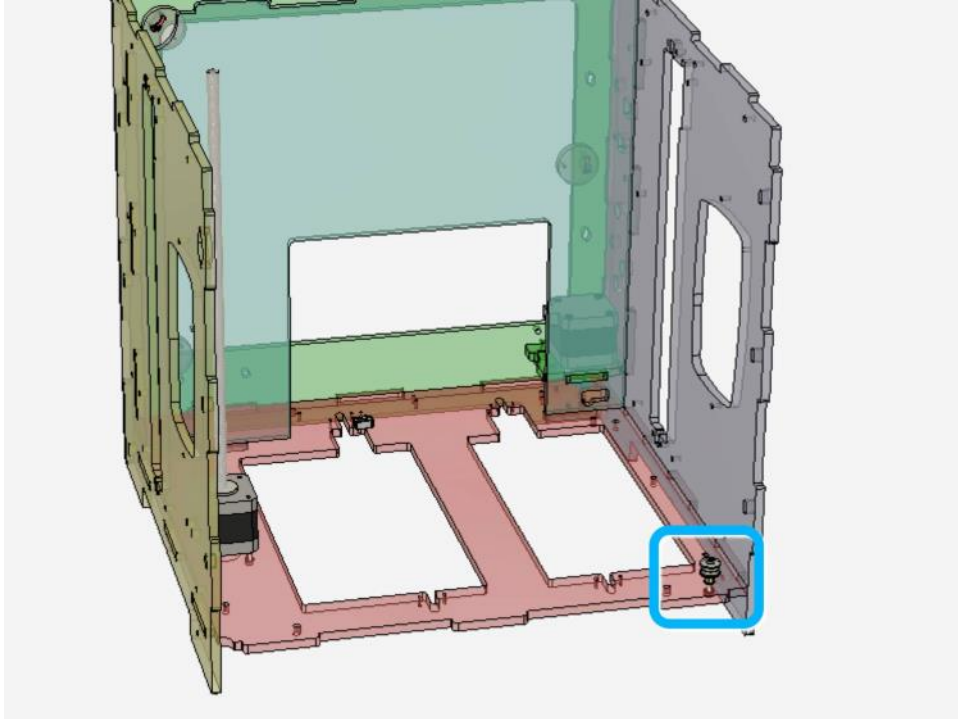
M3x25 bolt
Idler bearing (two halves)
6mm brass hex spacer (that's the long one)
M3 regular washer (2x)
M3 nylock

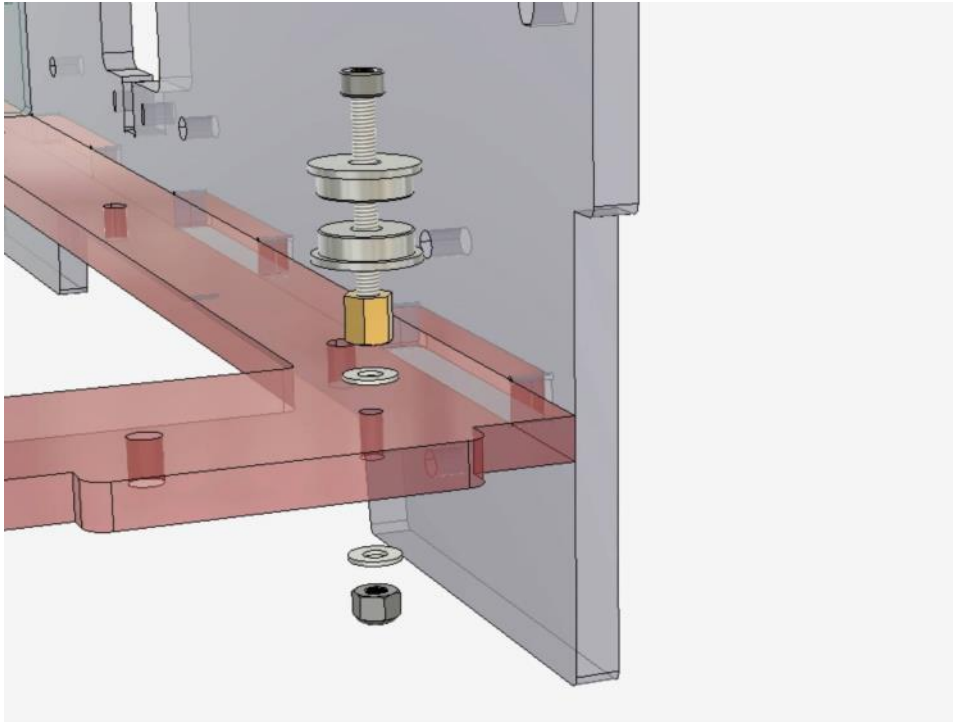


Put both two halves of the idler bearing onto the M3x25 bolt.
The 'lips' on both bearing halves should be away from each other.
Secure the bearing on the bolt with the brass hex spacer.



Tighten the brass hex spacer on and the bolt using a wrench and an M3 hex key.
Tighten tightly with strong force. You can't really overtighten this part.





- Install the idler into front right corner of the Bottom acrylic piece.
Put one M3 washer on either side of the acrylic to distribute the pressure.
Secure with the M3 nylock.
- ! Tighten well, but careful not to crack the brittle acrylic.