

# #prep X Assembly 02: Left Fan

In this guide, we attach Left filament fan to the X carriage.

## Left Filament Fan

You'll need:

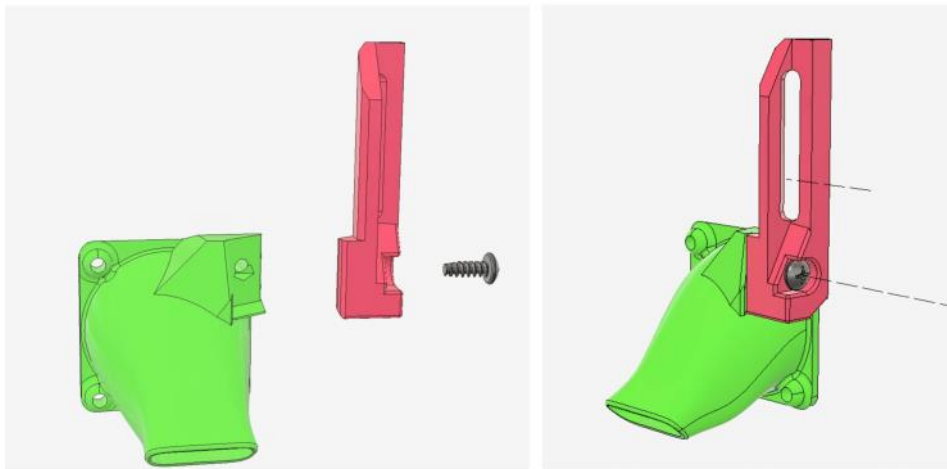
Green left filament fan shroud

Pink left filament fan mount

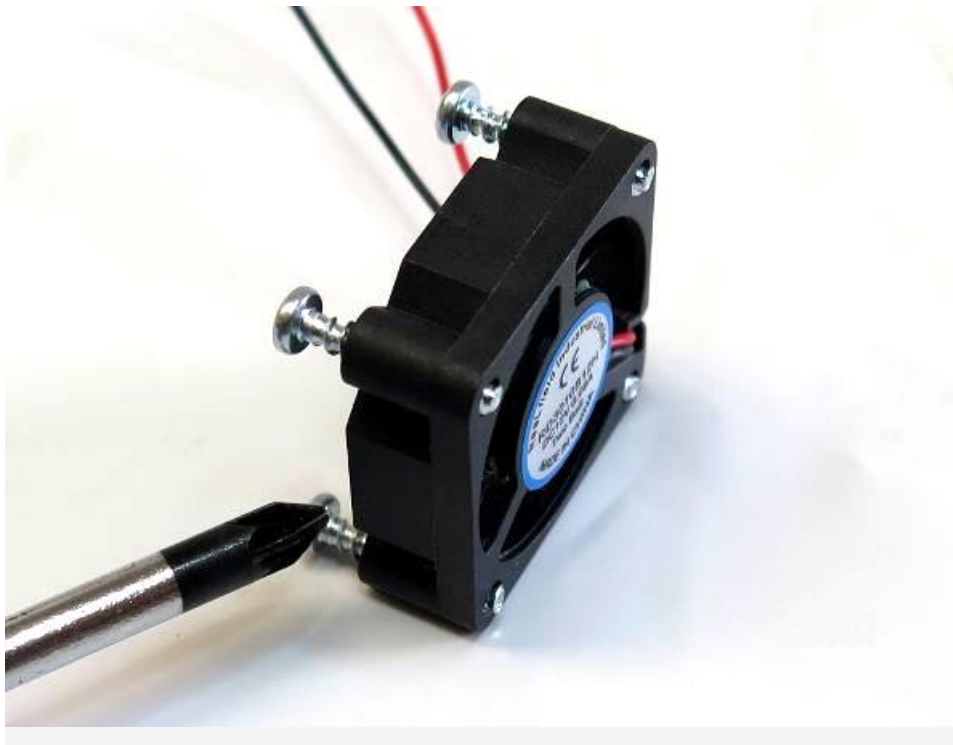
Plastite screw (5)

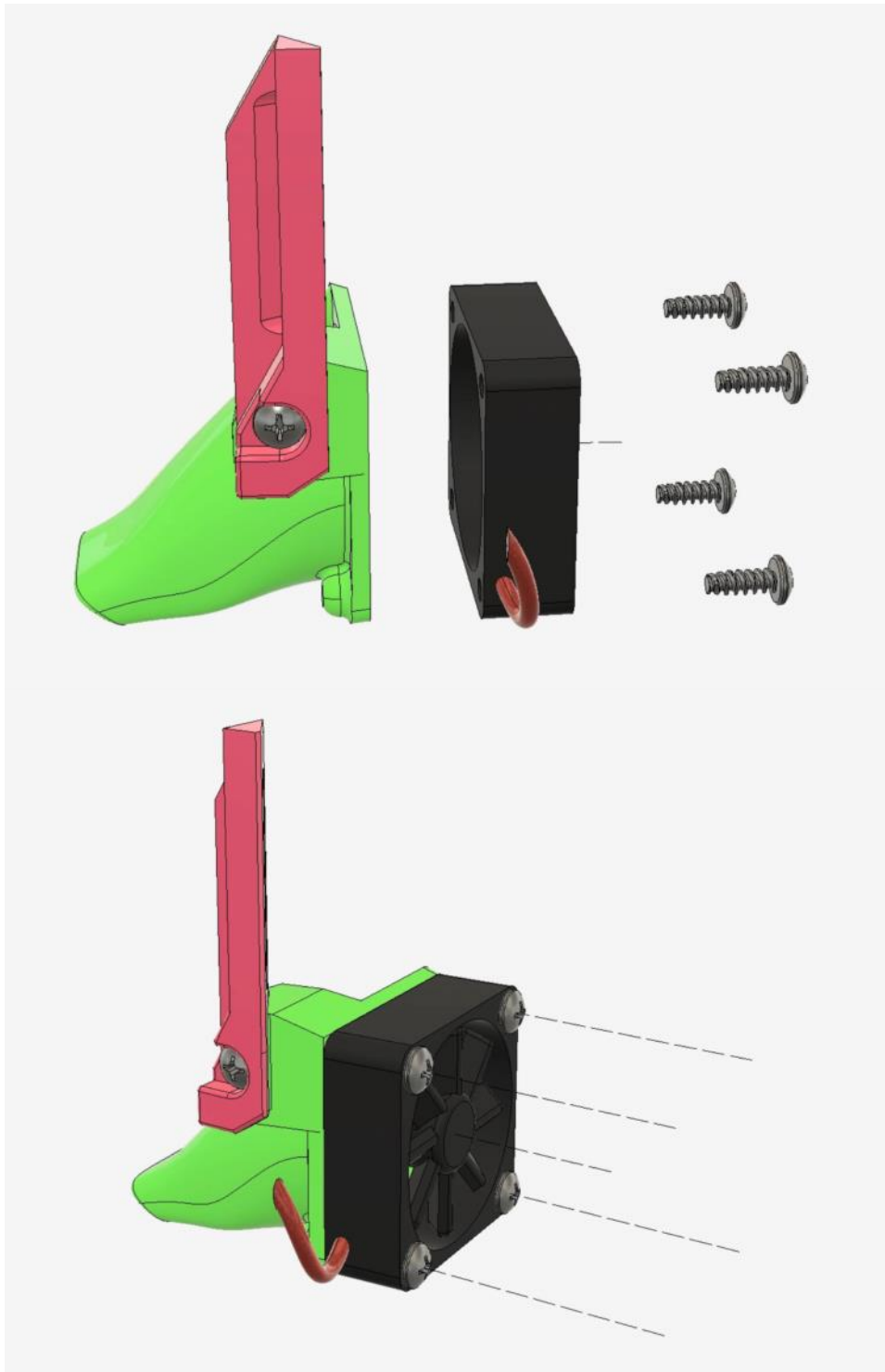
30mm fan

Alert: If you're building Dual Fan JellyBOX, use the 30mm fan with a long wire.



Connect the green filament fan shroud and the pink shroud mount with a single plastite screw.

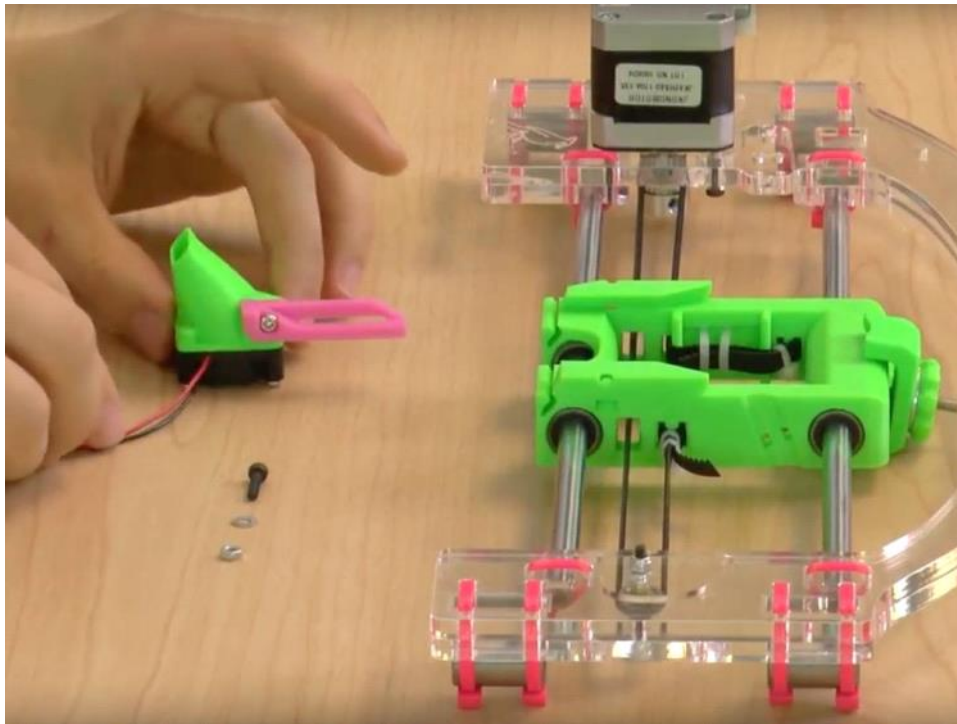




Attach a small 30mm filament fan to the shroud with four plastite screws.

! Pay attention to the orientation of the fan in reference to the fan cable. Align the fan so that the wires extend to the lower right when looking straight at the shroud.

Attach the Fan to the X Assembly



Title: Attach the Left Fan to the X Assembly

You'll Need:

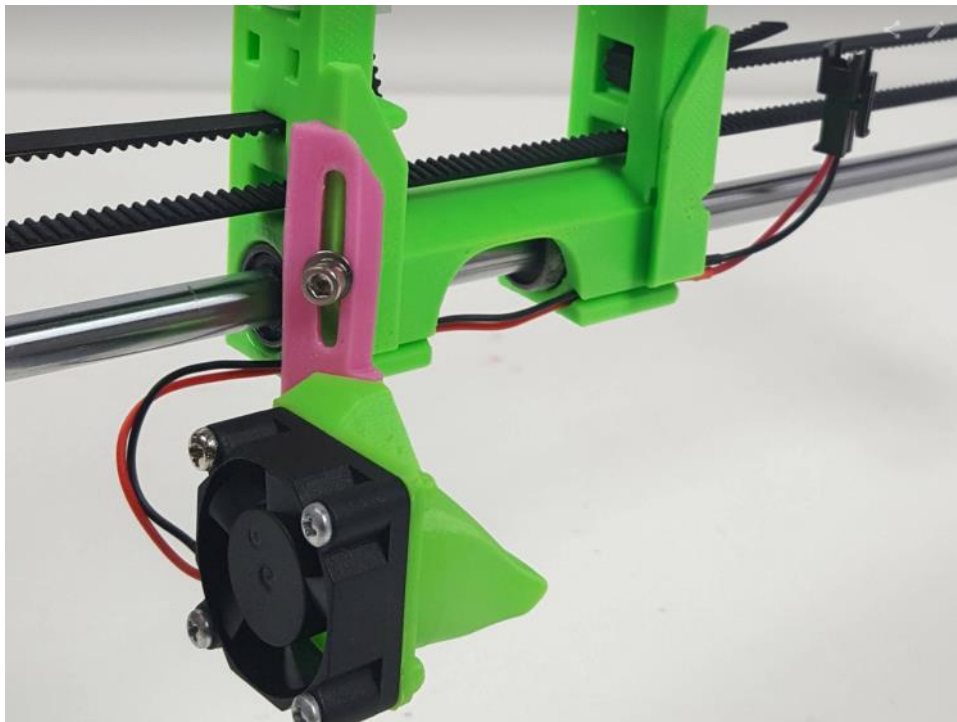
X Assembly (1)

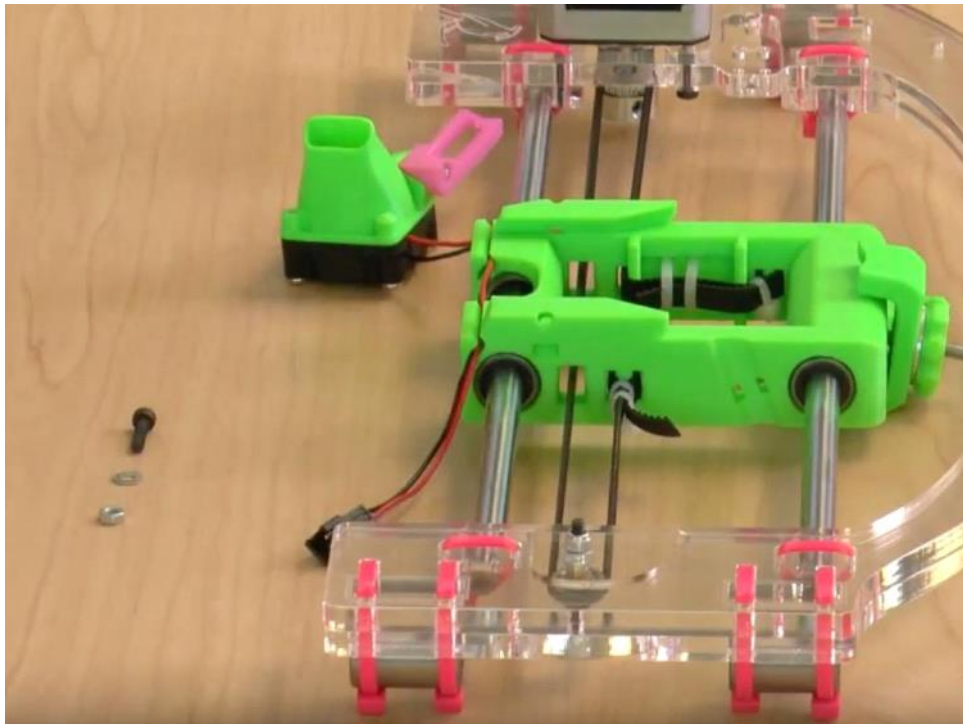
Left Fan Assembly (1)

M3x12 bolt (1)

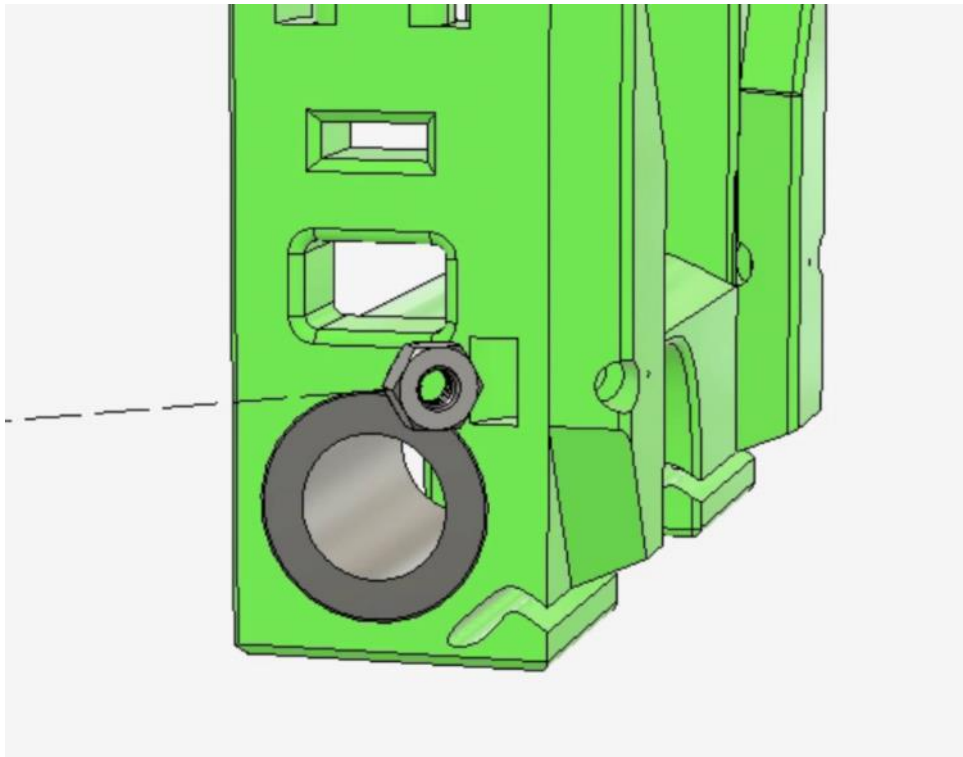
M3 regular washer (1)

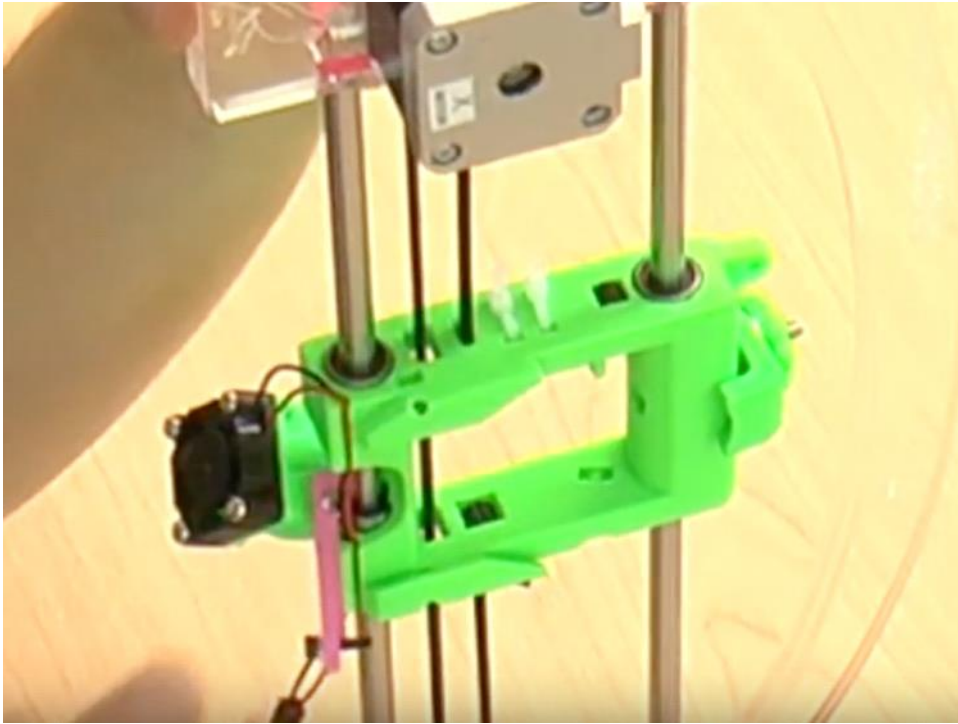
M3 regular bolt (1)



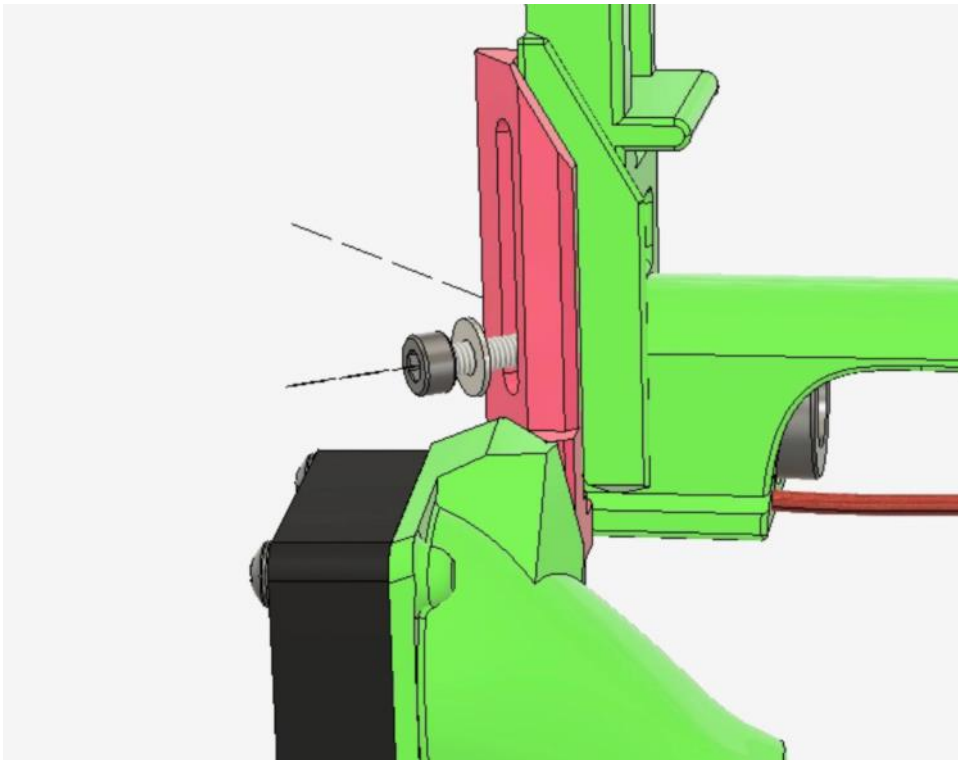


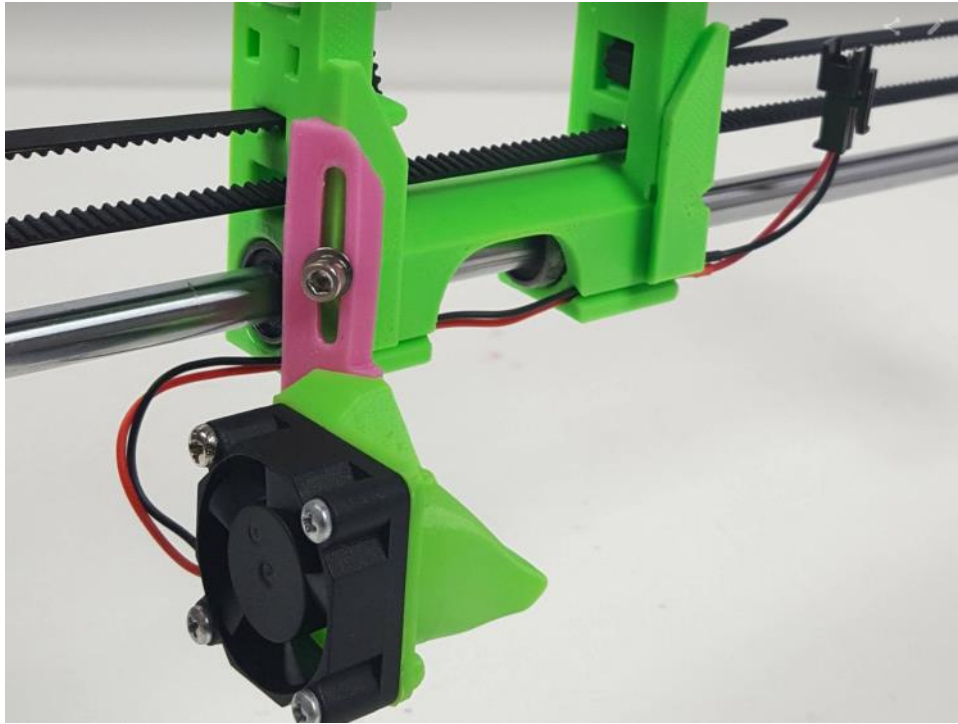
Title: Run the Wire Through the X Carriage  
Place the wire from the fan in the slot running along the bottom of the carriage.





Title: Place M3 Nut in the X Carriage  
Place a regular M3 nut in the slot on the left side of the X carriage next to the belt.  
Pro Tip: turn the x assembly on a side and let the gravity do the work for you. Drop in the nut with tweezers





Attach the Left Fan to the X Carriage with an M3x12 bolt and M3 washer. The M3x12 bolt in the fan mount reaches through to the nut in the slot. Tighten it using an M3 hex key.